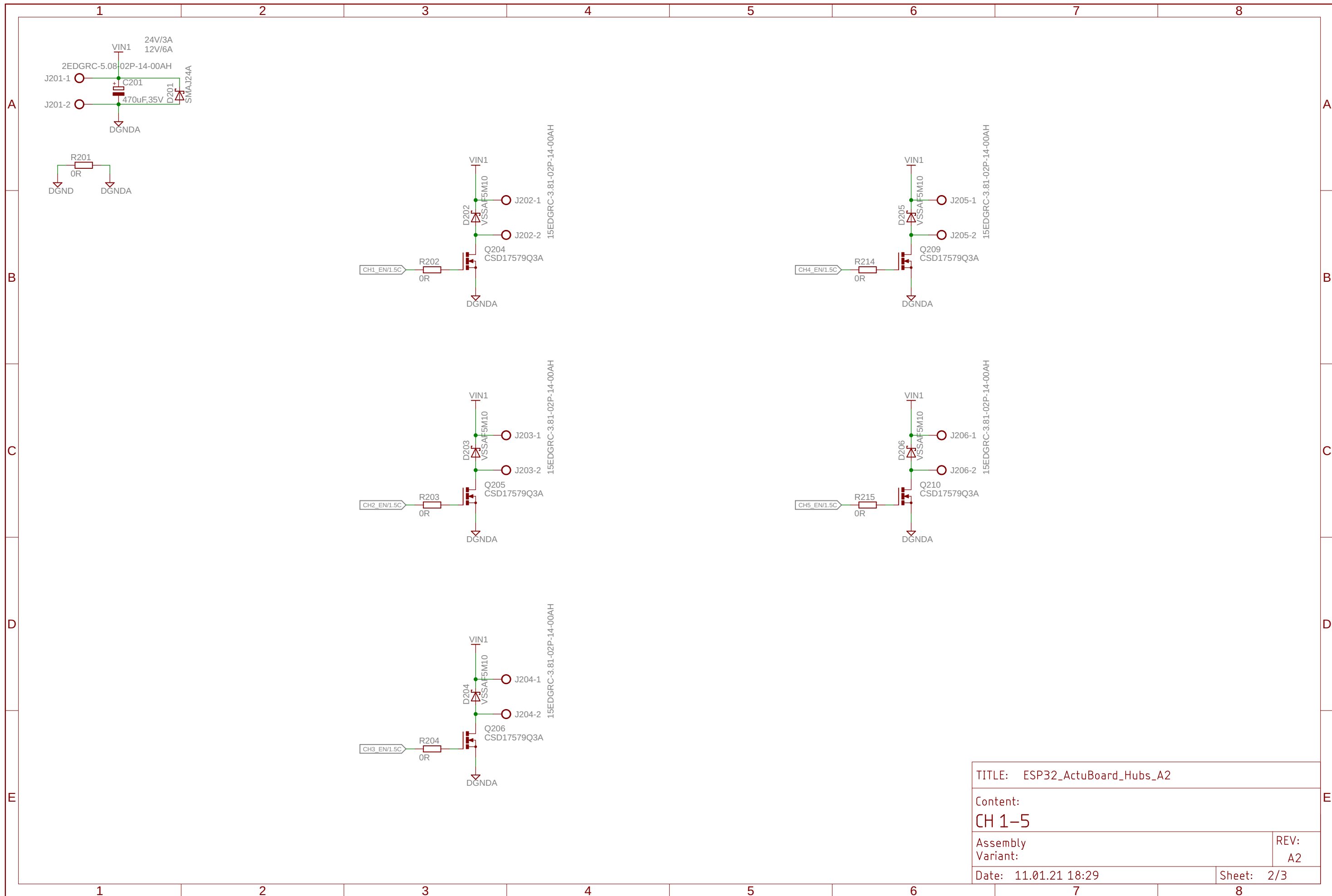
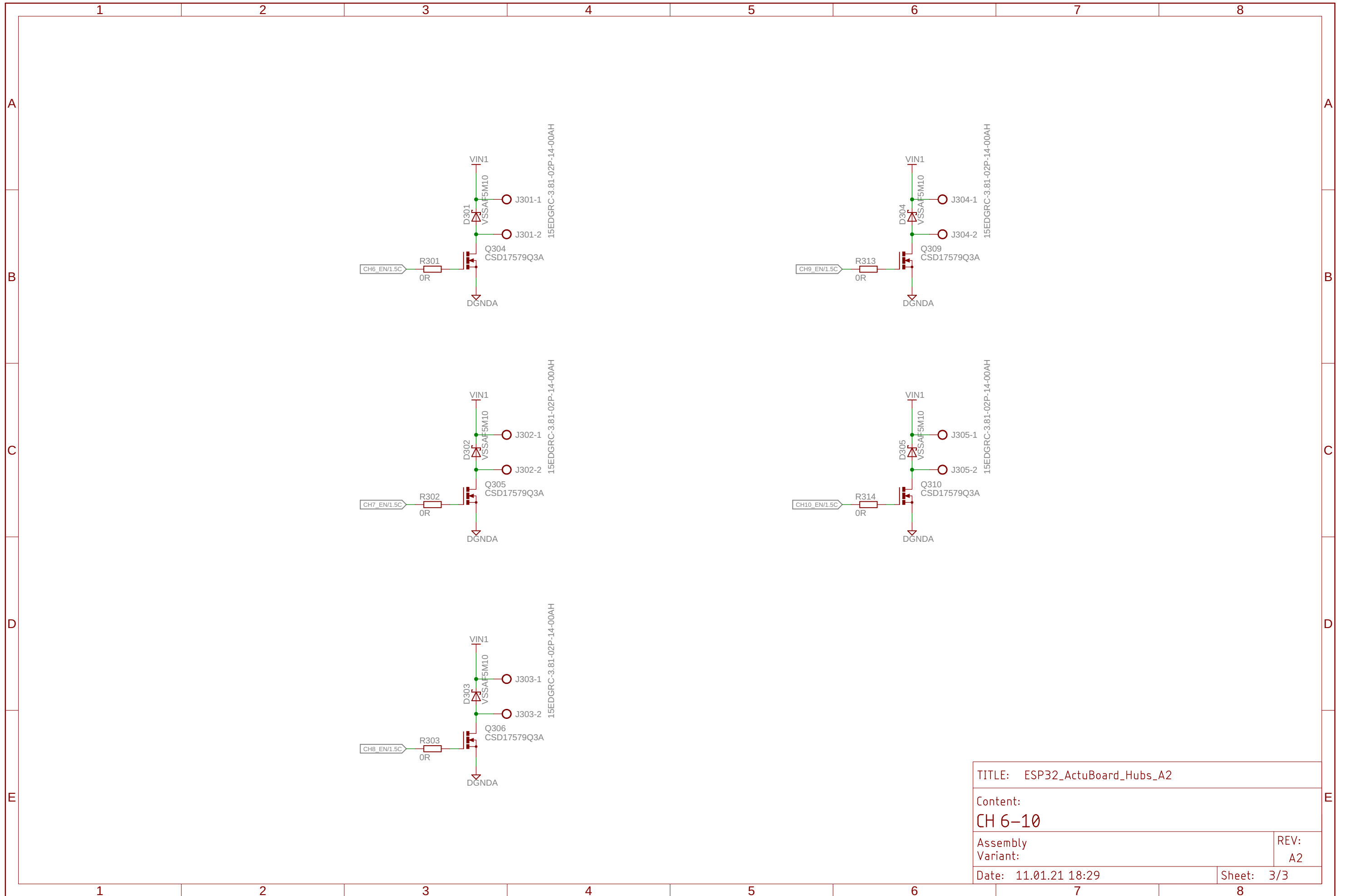


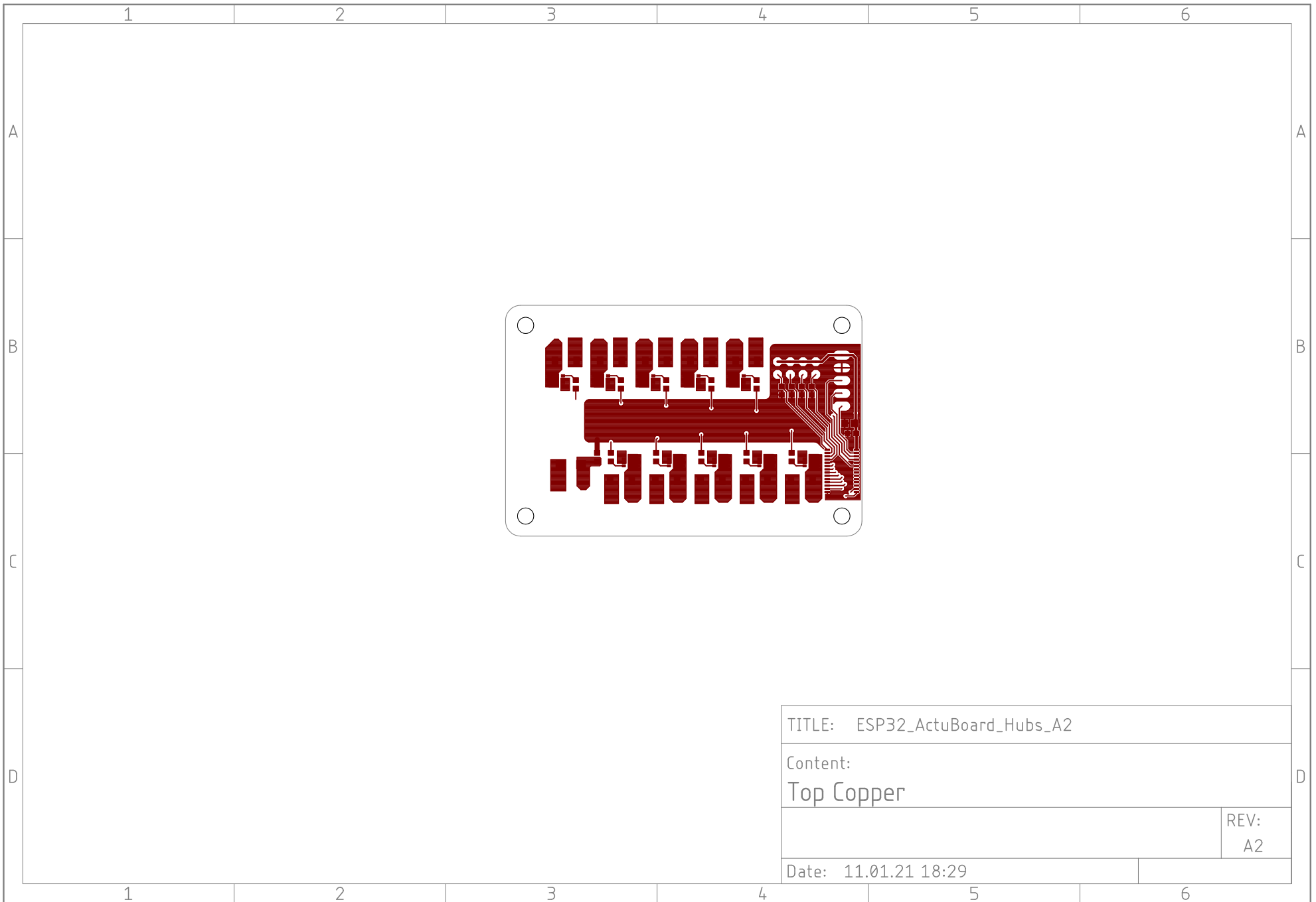
TITLE: ESP32_ActuBoard_Hubs_A2	
Content: PCA9635PW	
Assembly Variant:	REV: A2
Date: 11.01.21 18:29	Sheet: 1/3



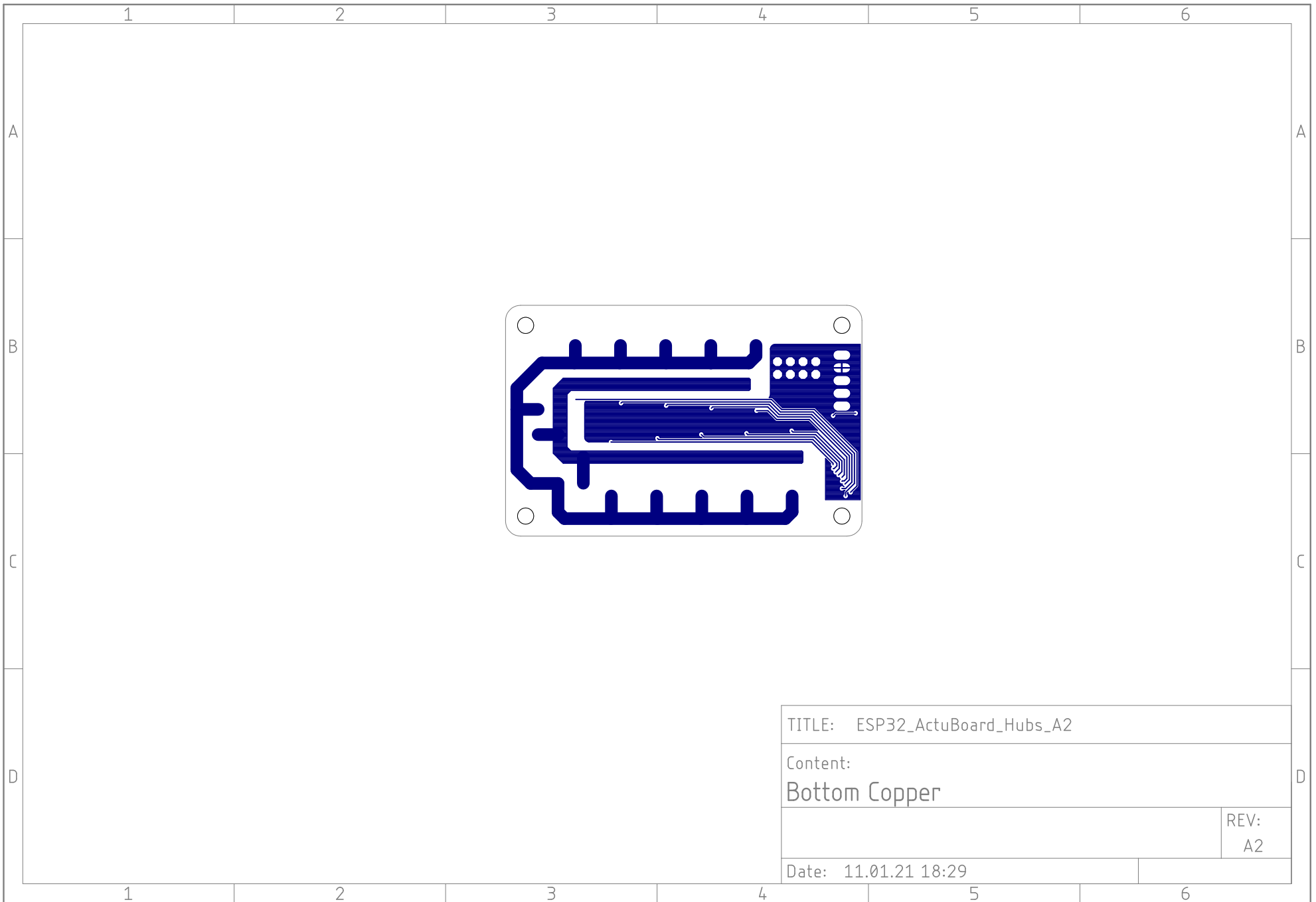
TITLE: ESP32_ActuBoard_Hubs_A2	
Content: CH 1-5	
Assembly Variant:	REV: A2
Date: 11.01.21 18:29	Sheet: 2/3

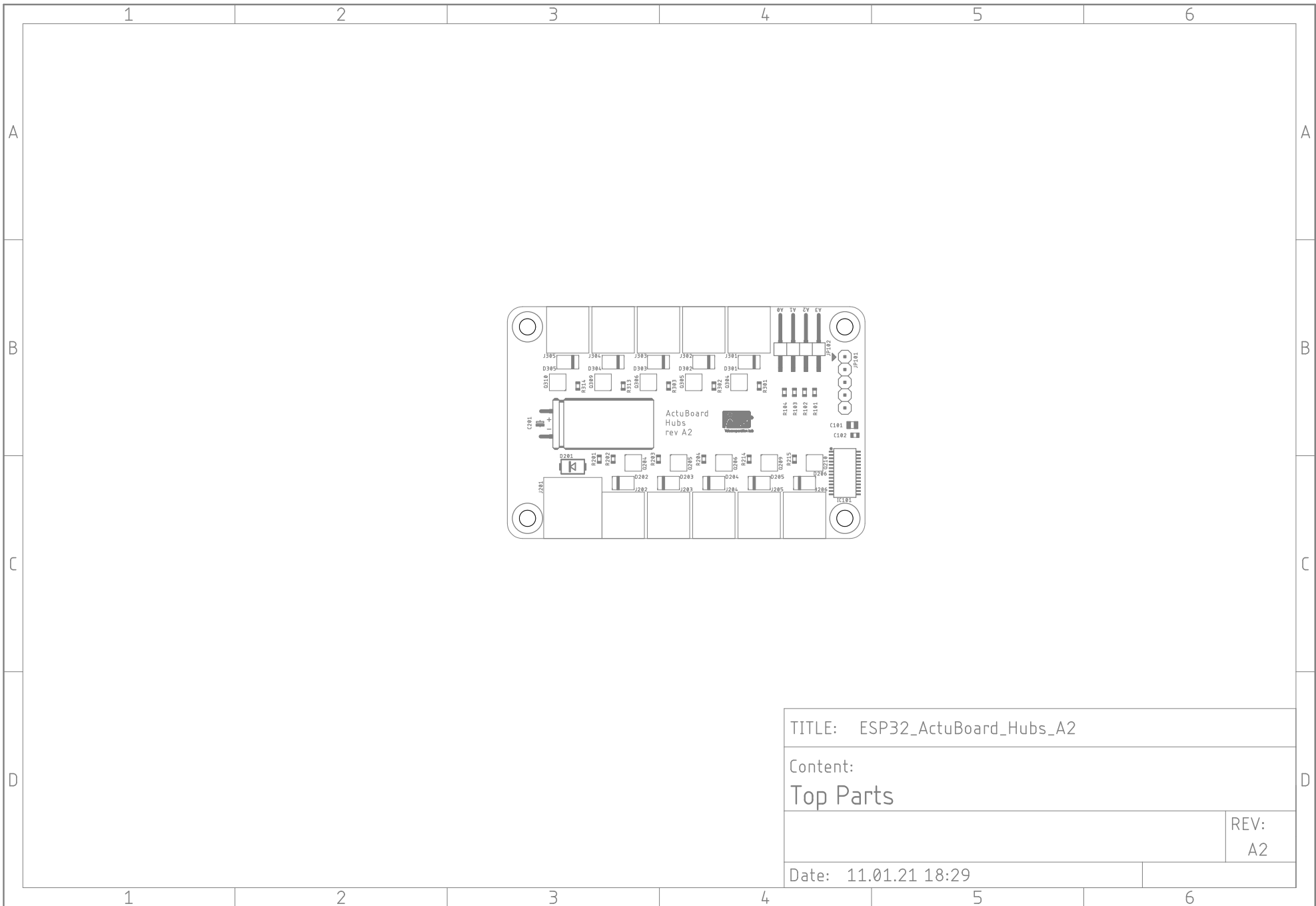


TITLE: ESP32_ActuBoard_Hubs_A2	
Content: CH 6-10	
Assembly Variant:	REV: A2
Date: 11.01.21 18:29	Sheet: 3/3



TITLE: ESP32_ActuBoard_Hubs_A2	
Content: Top Copper	
REV: A2	
Date: 11.01.21 18:29	



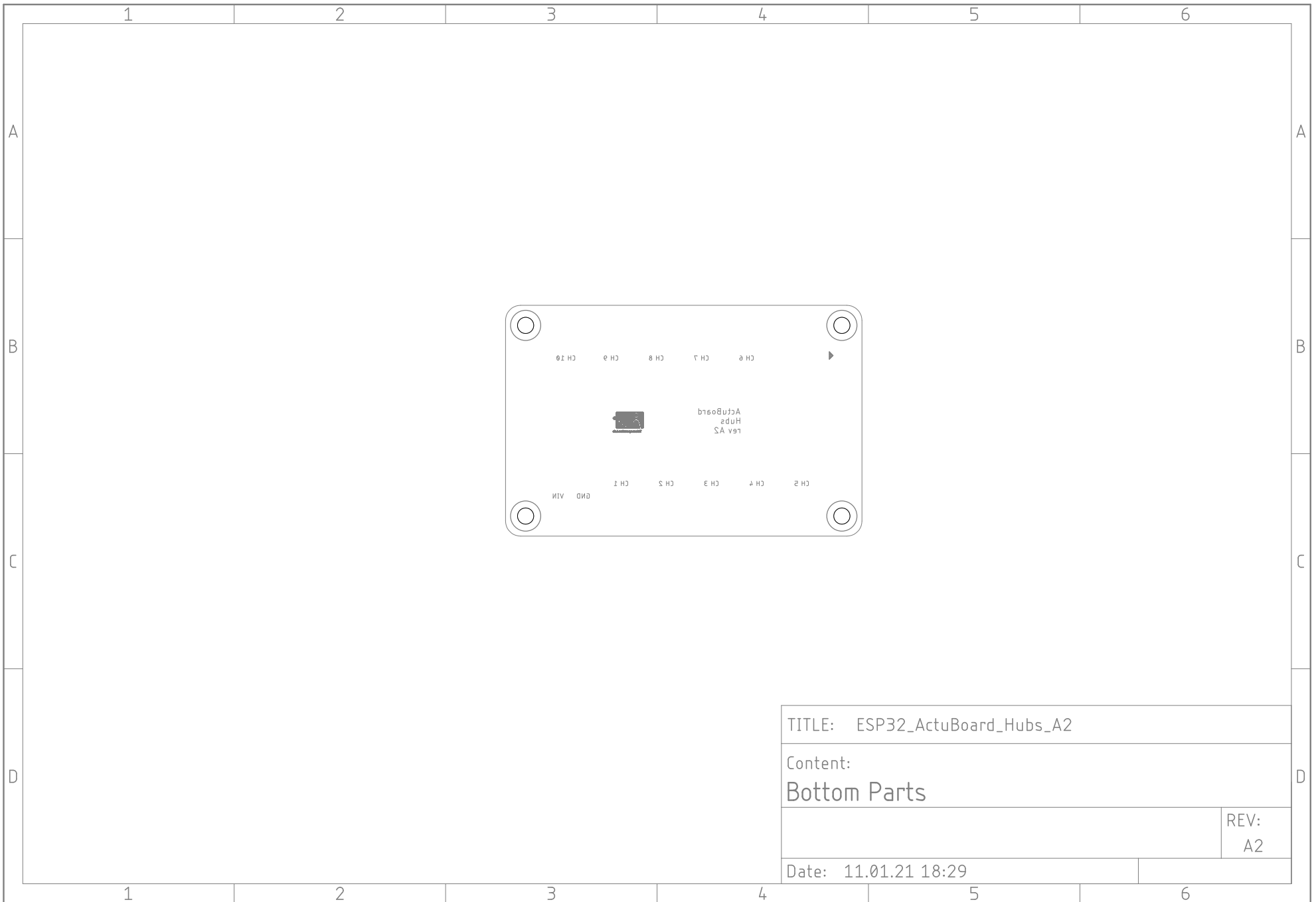


TITLE: ESP32_ActuBoard_Hubs_A2

Content:
Top Parts

REV:
A2

Date: 11.01.21 18:29

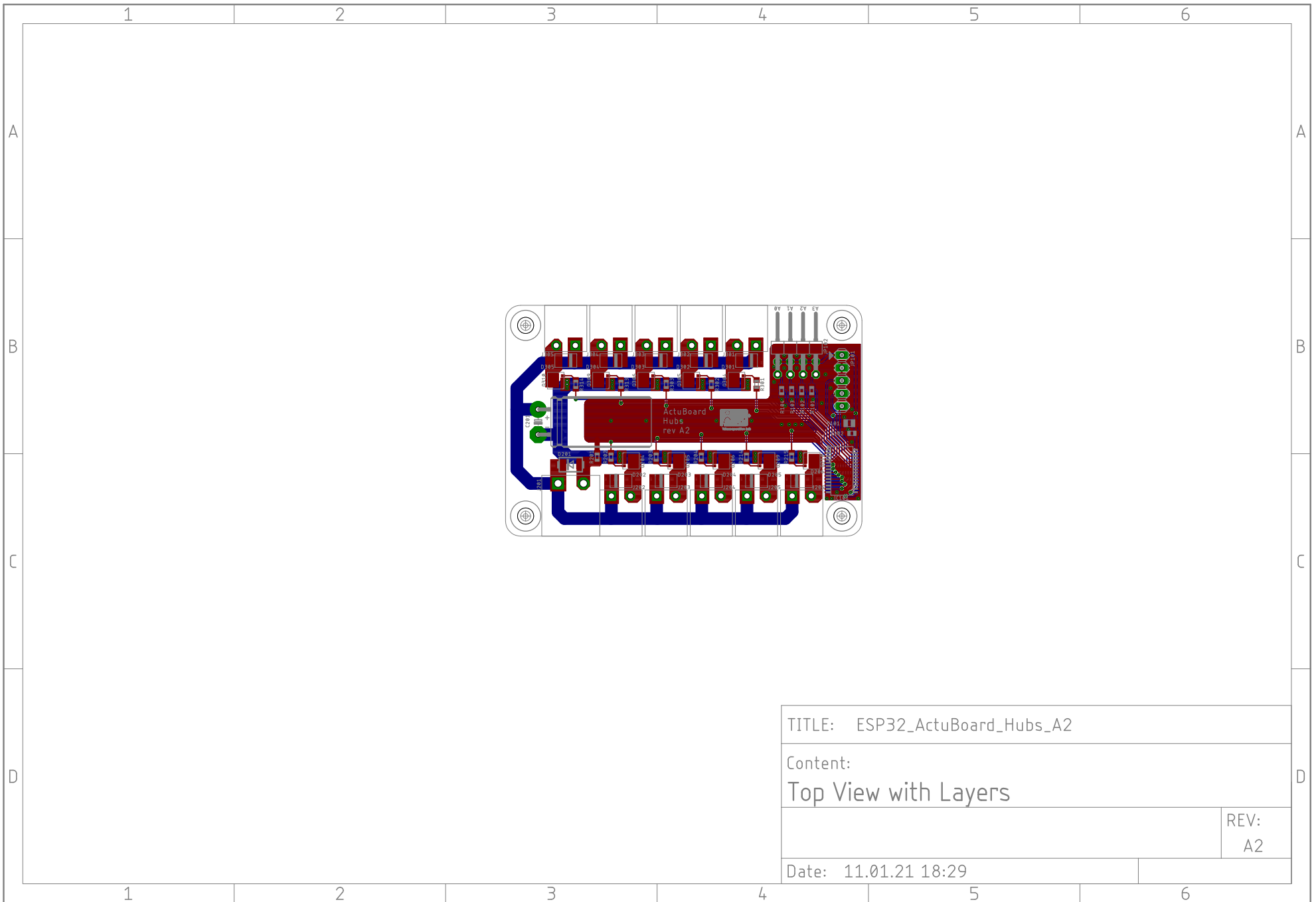


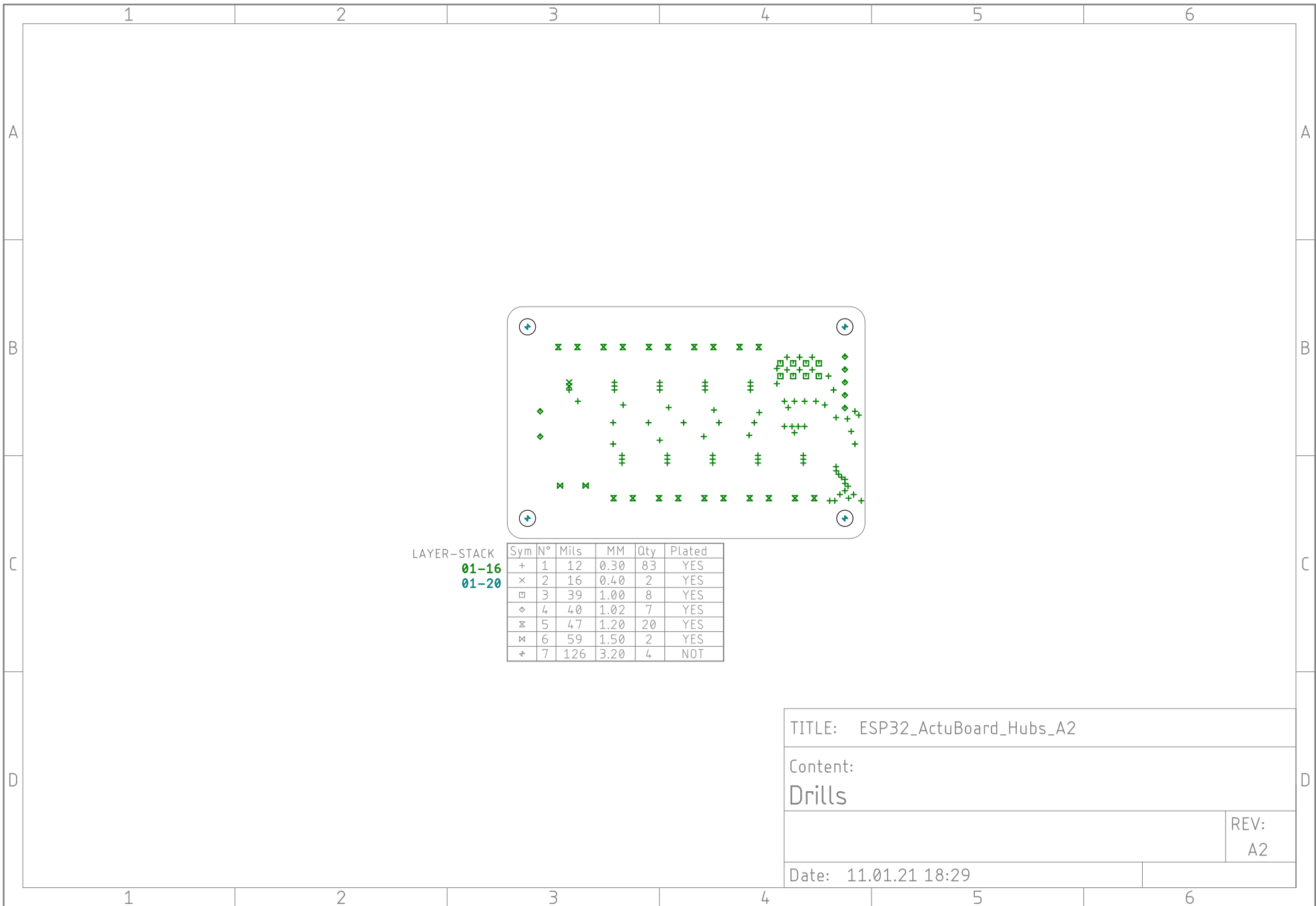
TITLE: ESP32_ActuBoard_Hubs_A2

Content:
Bottom Parts

REV:
A2

Date: 11.01.21 18:29



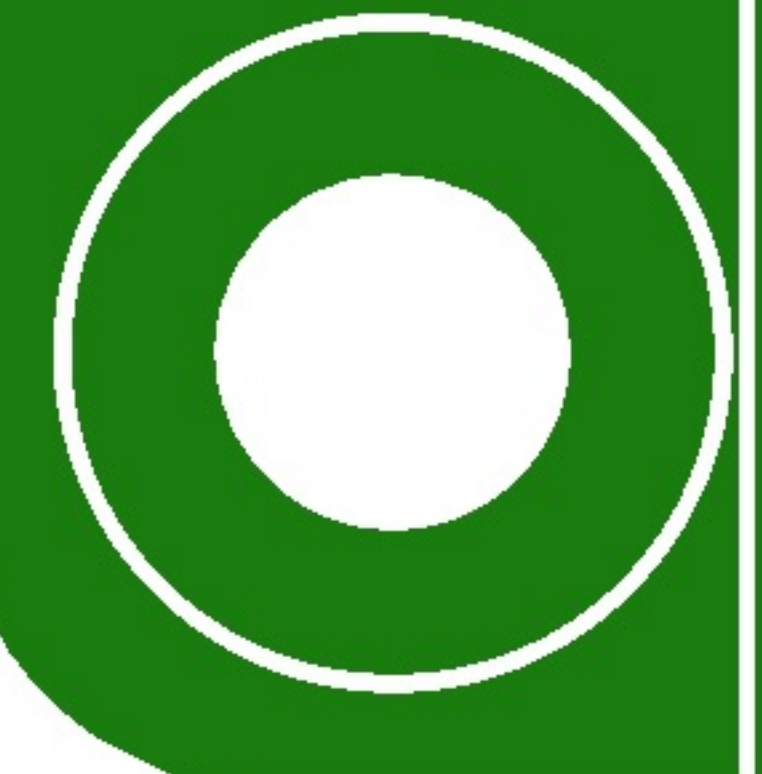
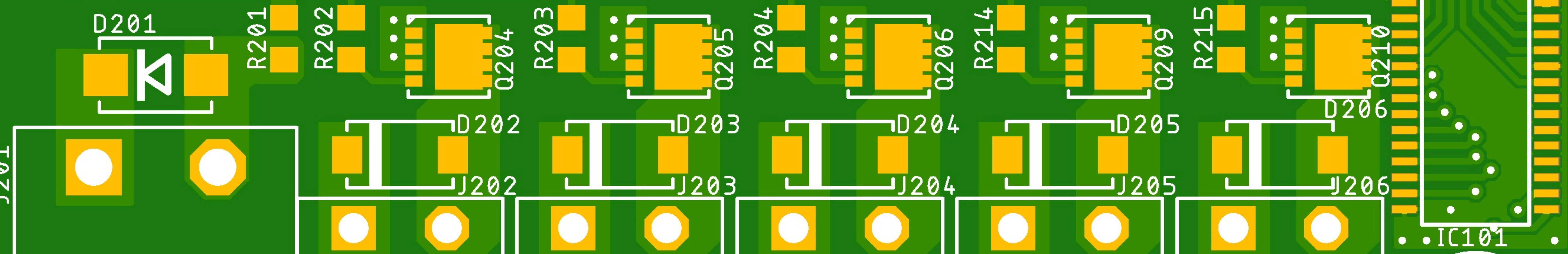
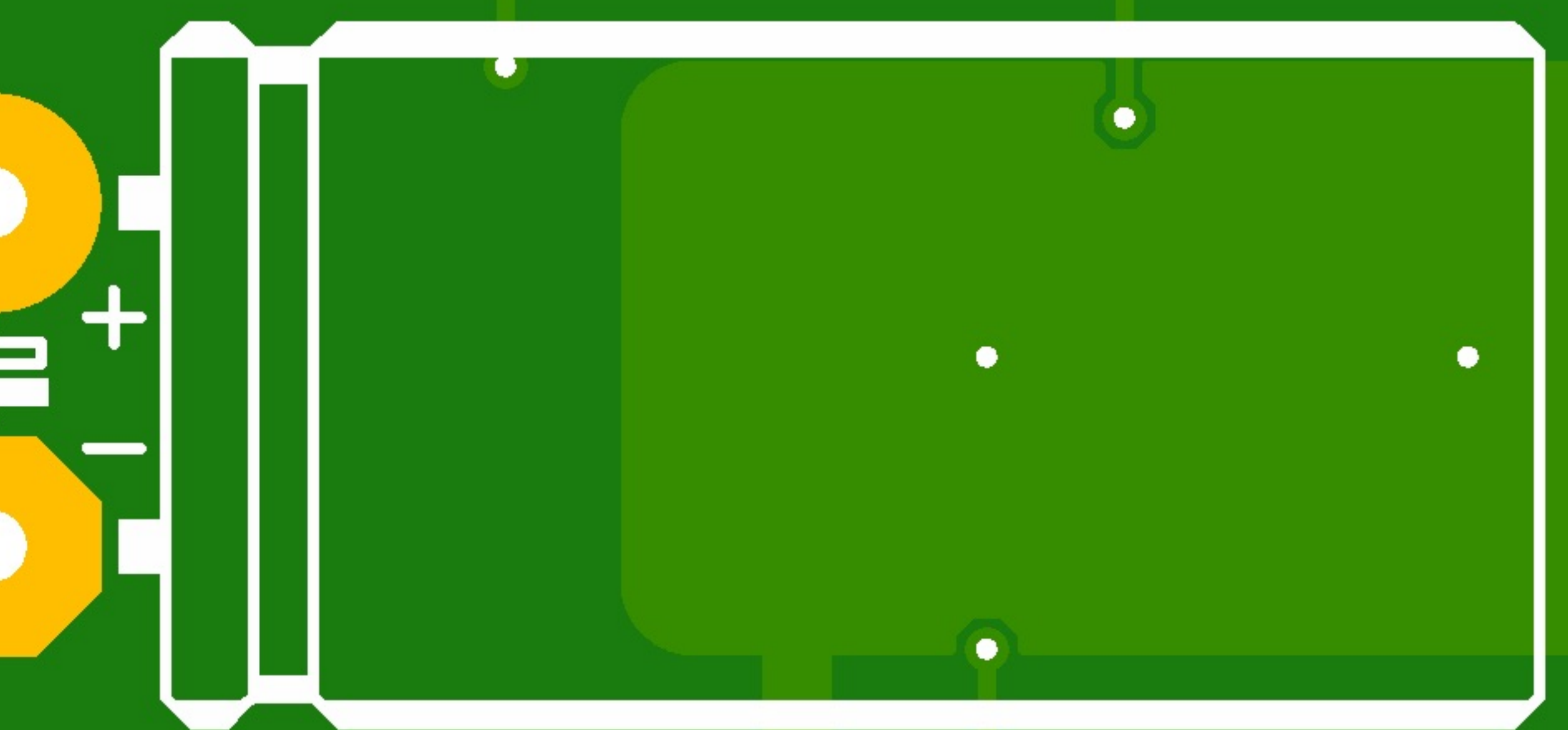
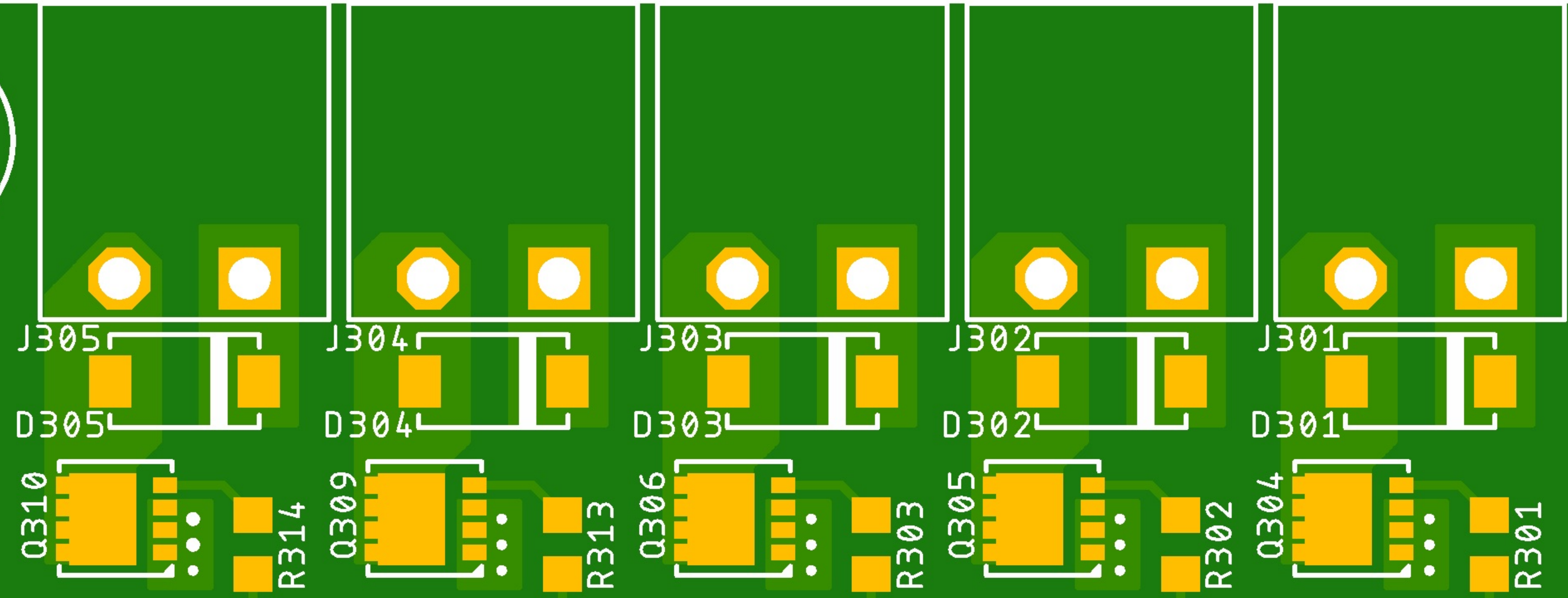
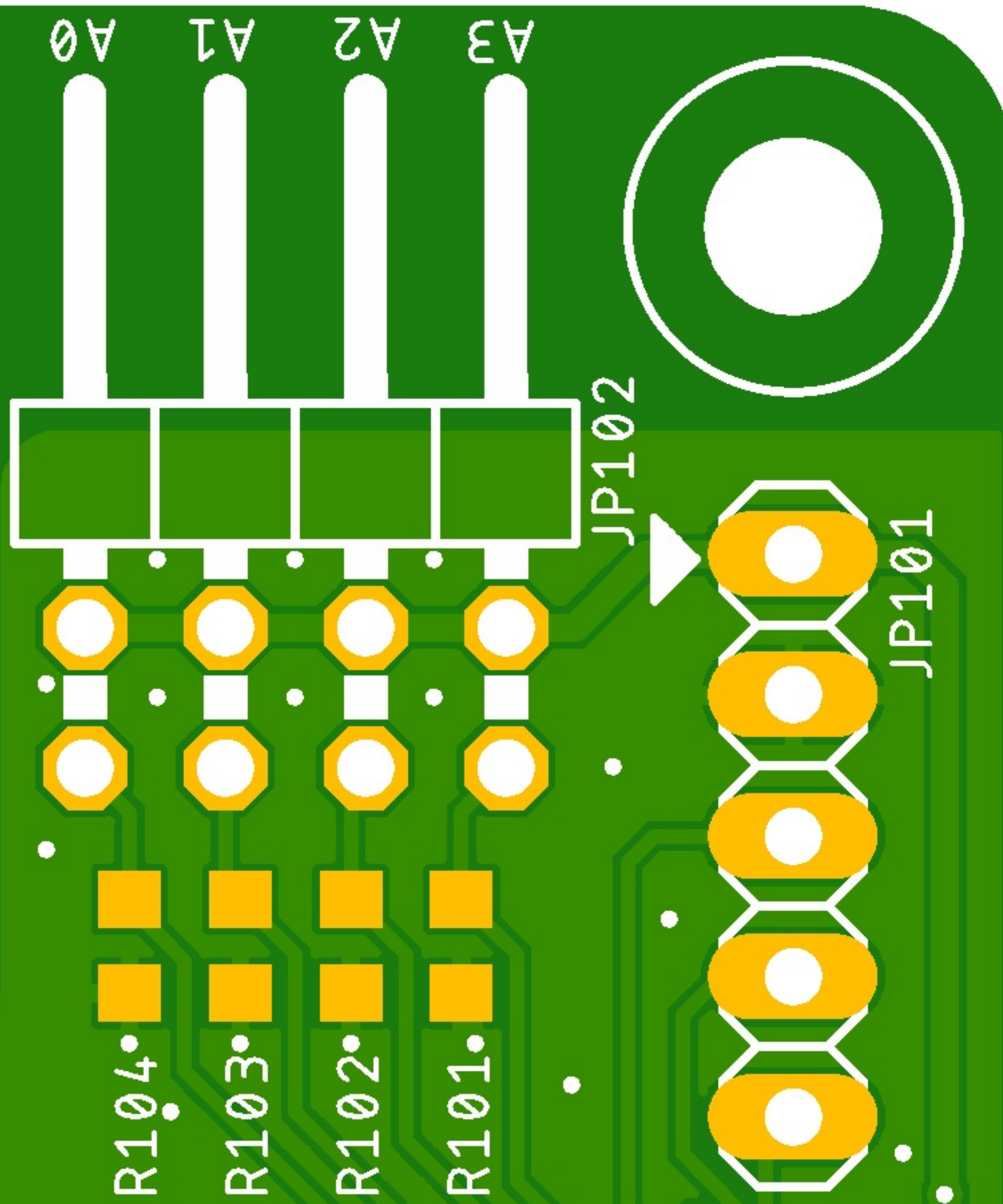


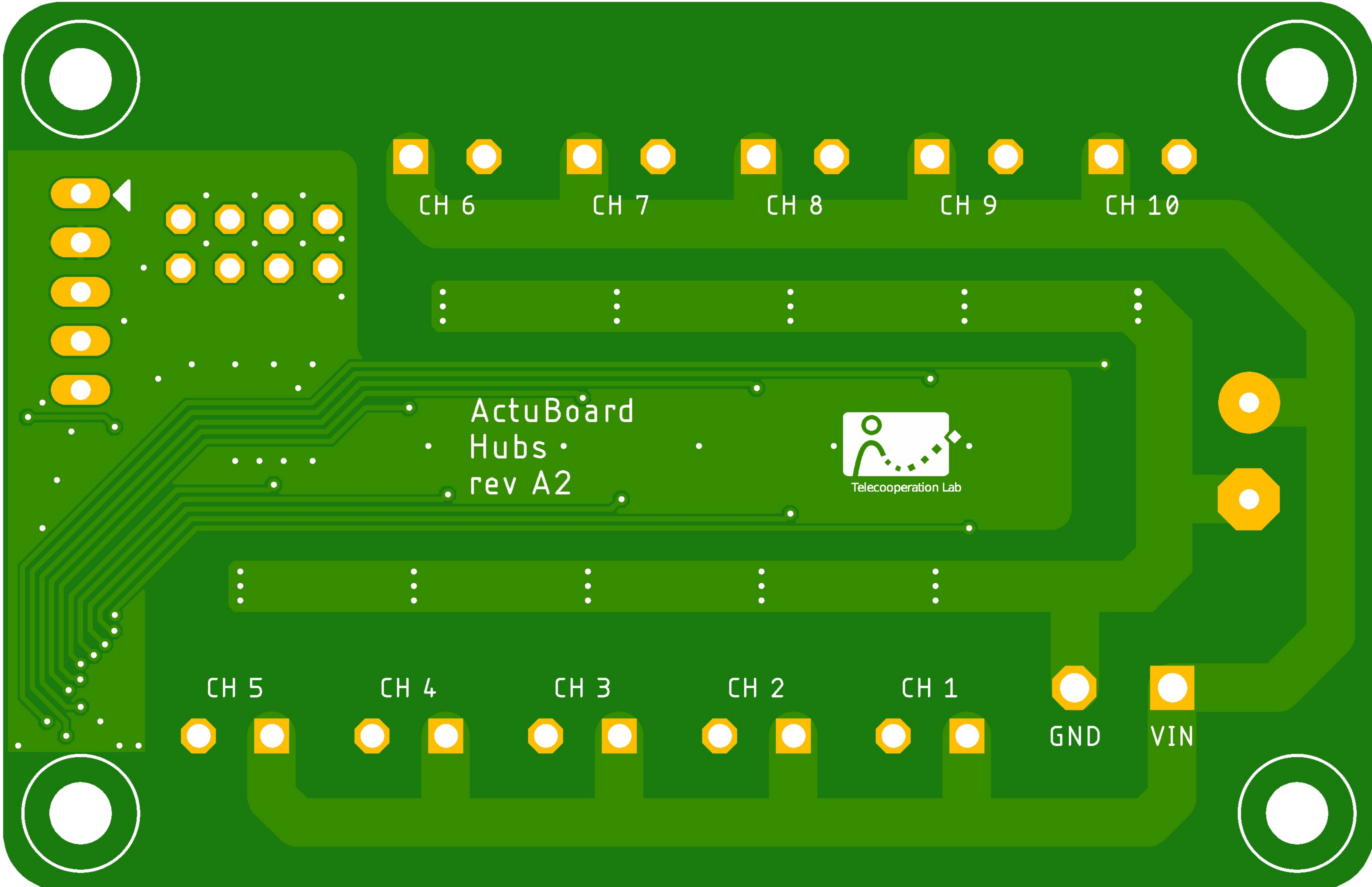
LAYER-STACK

Sym	N°	Mils	MM	Qty	Plated
+	1	12	0.30	83	YES
x	2	16	0.40	2	YES
□	3	39	1.00	8	YES
◇	4	40	1.02	7	YES
⊗	5	47	1.20	20	YES
⊗	6	59	1.50	2	YES
+	7	126	3.20	4	NOT

TITLE: ESP32_ActuBoard_Hubs_A2	
Content: Drills	
REV: A2	
Date: 11.01.21 18:29	

ActuBoard
Hubs
rev A2





CH 6

CH 7

CH 8

CH 9

CH 10

⋮

⋮

⋮

⋮

⋮

ActuBoard
Hubs
rev A2



Telecooperation Lab

⋮

⋮

⋮

⋮

⋮

CH 5

CH 4

CH 3

CH 2

CH 1

GND

VIN

