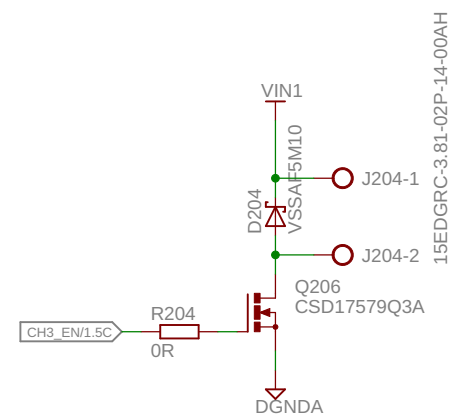
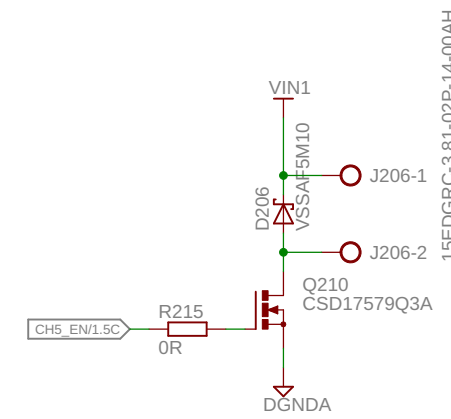
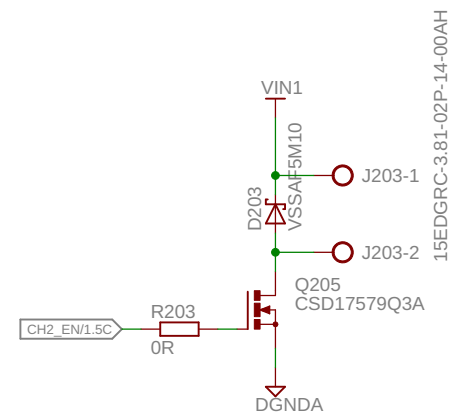
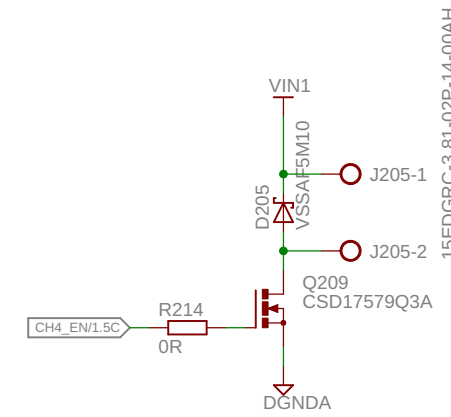
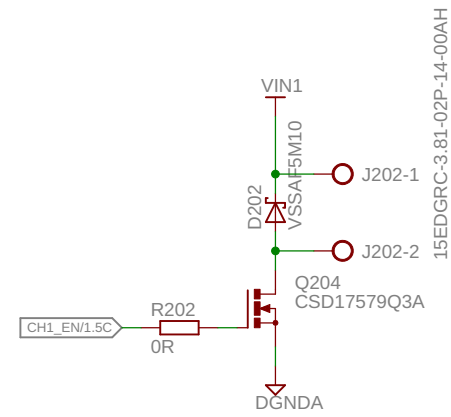
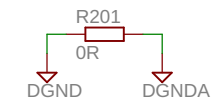
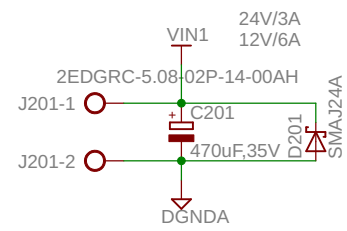
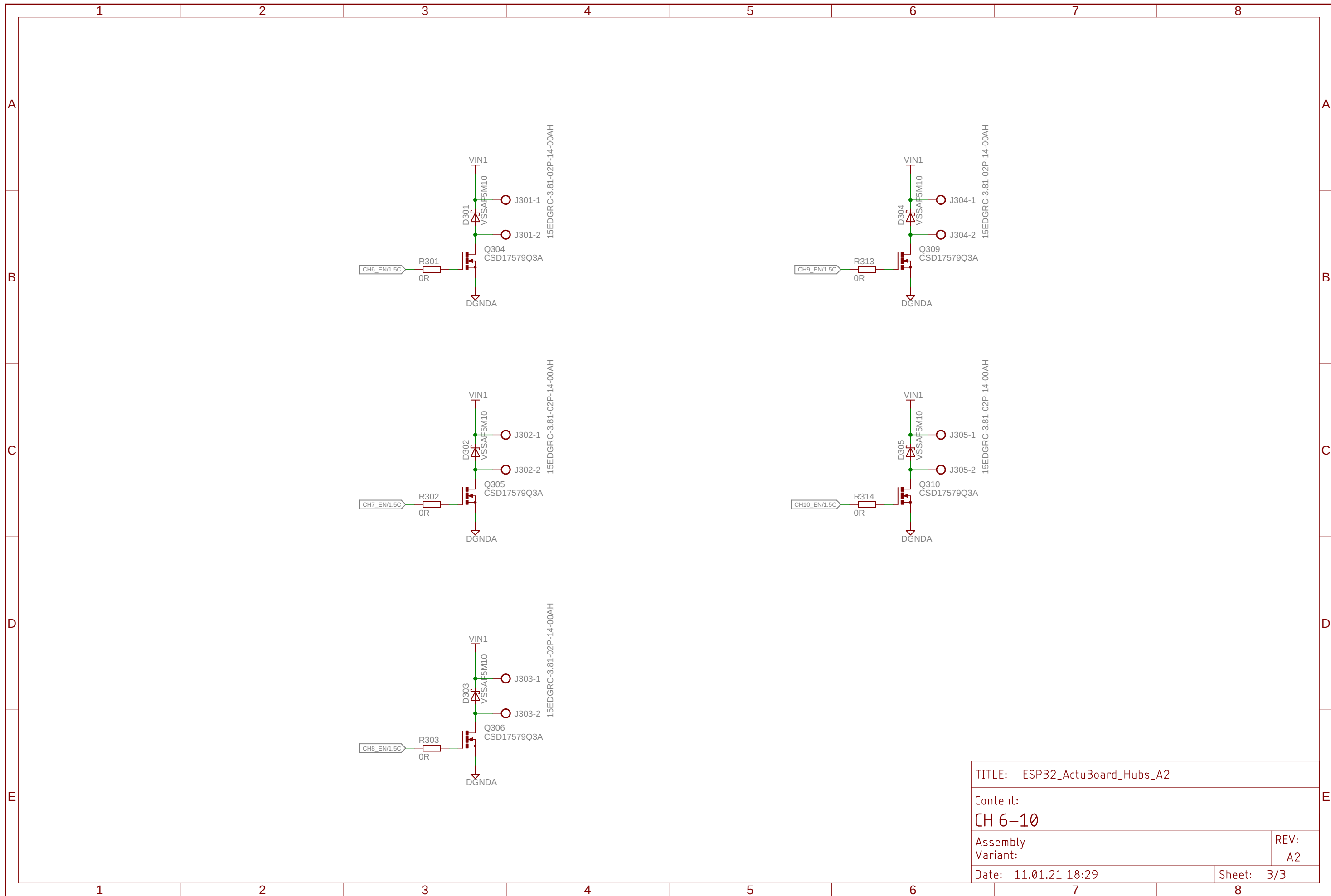


TITLE: ESP32_ActuBoard_Hubs_A2	
Content: PCA9635PW	
Assembly Variant:	REV: A2
Date: 11.01.21 18:29	Sheet: 1/3



TITLE: ESP32_ActuBoard_Hubs_A2	
Content: CH 1-5	
Assembly Variant:	REV: A2
Date: 11.01.21 18:29	Sheet: 2/3



TITLE: ESP32_ActuBoard_Hubs_A2	
Content: CH 6-10	
Assembly Variant:	REV: A2
Date: 11.01.21 18:29	Sheet: 3/3